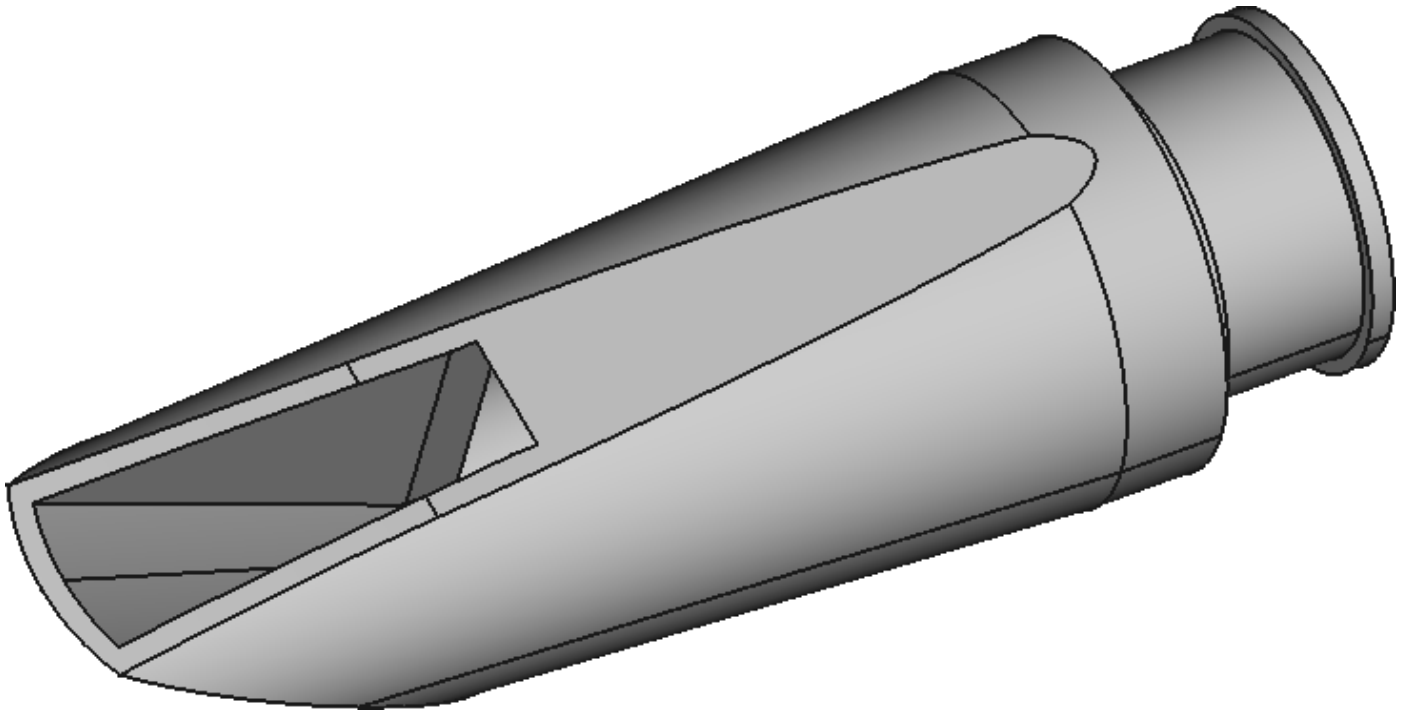




# **3D Design for printing and cutting day**



**Lancaster and Morecambe makers are organising a day on '3D design for printing and cutting' at their Space on White Cross. Come and learn how to use 3D design software to make physical objects. There will be demos of several different programs, letting you choose the one that suits you.**

**Date: 17th June, 12pm to 5pm**

**Address: Unit 5, Sharpes Mill, White Cross Business Park, LA1 4XS**

**Web: <https://lamm.space>**

**All ages welcome but under 16s must be accompanied.**